

High pressure

Sight glass indicator

AVEMAR

Bauform 912

Application:

The flow indicators are used for optical control of fluids and gases, for horizontal and vertical pipe lines.

Installation:

Optional

Operating conditions:

Working pressure: up to 160 bar
Working temperature: with borosilicate glass max. 280°C
with quartzglass up to 500°C

Possible Connection:

Flange connection acc. to DIN up to PN 160
Flange connection acc. to ANSI up to 1.500 LBS
Butt weld ends
Female-threaded

Dimensions:

Working pressure and nominal diameter have an effect on the length.

Materials:

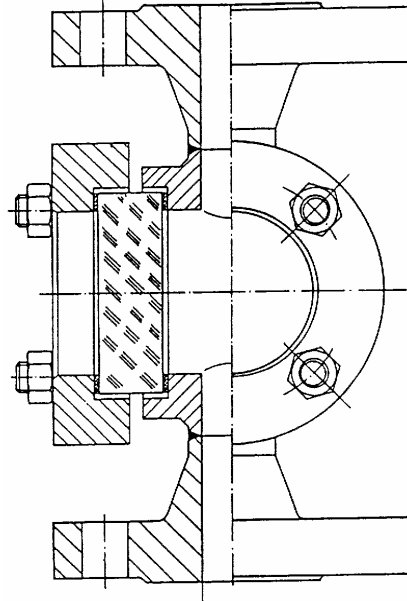
All materials which can be welded are possible.

Certificate: (Option)

Acc. to EN 10204 - 2.2 or
Acc. to EN 10204-3.1.B

Options:

with - ANSI-flanges
- Butt weld ends
- Heating jacket
- Sight glass light - fittings

High pressure - design

Modifications reserved

AVEMAR

AVEMAR cz s.r.o., Lihovarská 10, 716 03 Ostrava - Radvanice
Tel.: +420 596 232 996, 596 232 997, Fax: +420 596 232 998
E-mail: avemar@avemar.cz, web: www.avemar.cz