

# Sight Flow Indicators (straight line )

with *flanges connection* acc. *DIN PN 16*  
Design for horizontal installation



Bauform 111

## Application:

Sight Flow Indicators are used for optical control and the observation of filling and current in pipelines. Without restfluid in the body in horizontal instalation.

## Operating conditions:

Working pressure : 16 bar

## Standard Materials:

Body : WNr 1.4404 / 1.4571  
Covers : Stainless steel  
Screws : A4 - 70  
Sight glasses : Borosilicate glass acc. to DIN 7080; ( max. 280°C )  
Soda lime glass acc. to DIN 8902; ( max 150°C )  
Gasket : Graphite; ( other materials are availabe on request )

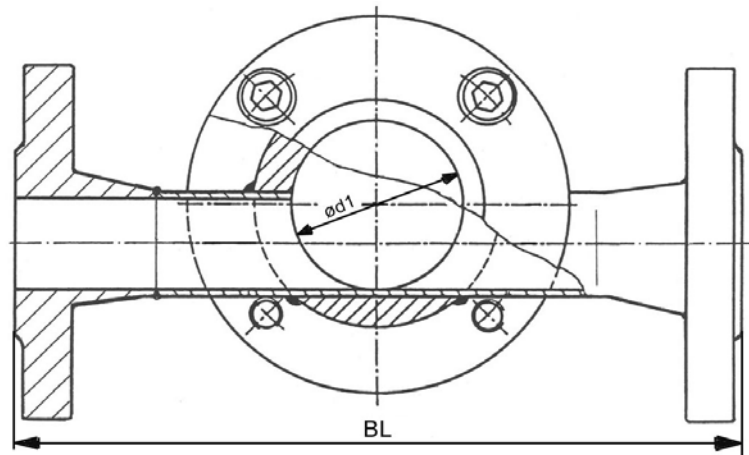
**Without restfluid  
in the body!**

## Options:

Light-fitting  
ANSI-flanges  
butt weld ends

## Ordering example:

Sight flow indicators Bauform 111  
Body: Stainless steel  
Cover: Stainless steel  
Glass: Borosilicate glass 16 bar,  
DN 50 PN 16



## Dimensions:

DN	BL	ø d <sub>1</sub>	Glass Ød x S	Screws
15	250	32	45 x 10	M 8
20	250	45	63 x 10	M 8
25	290	45	63 x 10	M 10
32	290	60	80 x 12	M 10
40	280	60	80 x 12	M 10
50	280	80	100 x 15	M 12
65	340	80	100 x 15	M 12
80	360	100	125 x 15	M 12

Further sizes on Bauform 112

Modifications reserved



AVEMAR cz s.r.o., Lihovarská 10, 716 03 Ostrava - Radvanice  
Tel.: +420 596 232 996, 596 232 997, Fax: +420 596 232 998  
E-mail: avemar@avemar.cz, web: www.avemar.cz