

Thermostatic bimetal steam traps type BF11/BF21

Application and function

The thermostatic bimetal steam traps are generally used to drain unregulated heating processes with high capacity. The bending of the bimetal changes by temperature differences. Thus the valve is opened and closed.

Technical basic equipment

- Steam traps with bimetal column for high capacity
- Steam traps with strainer, sight glasses and external adjusting device
- Excellent drainage and exhaust characteristics in the entire working area
- Resistant against water shocks and superheated steam
- High expectancy and reliability

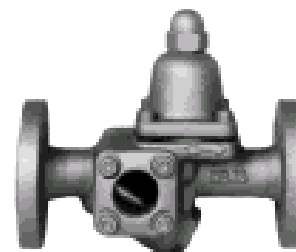
Technische Daten

Type		BF11	BF21
Nominal diameter	DN	20/50	15/20/25/50
All. pressure	PS [bar]	13	22
All. temperature	TS [° C]	300 (DIN 2401)	
Dimension	[mm]	DIN EN 26554	
Connection		Flanges as per DIN 2635	
Housing		GG-2 (0.6025)	C22.8 (1.0460)
Inner parts		Corrosion and acid resistant CrNi-steel	
Bimetal		Bimetal „RGR“ plated with stainless steel	

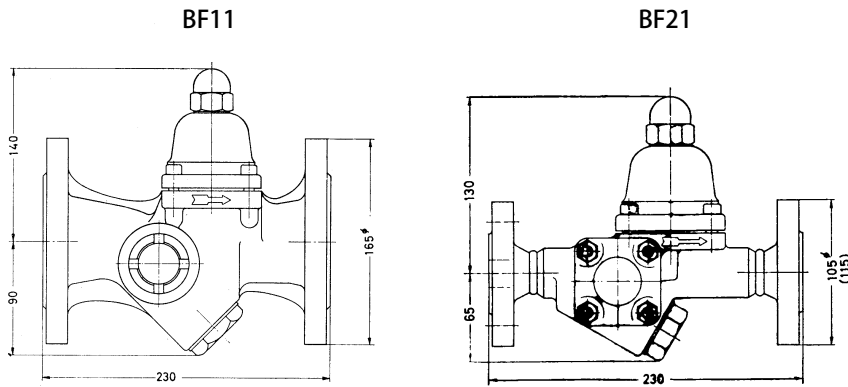
BF11



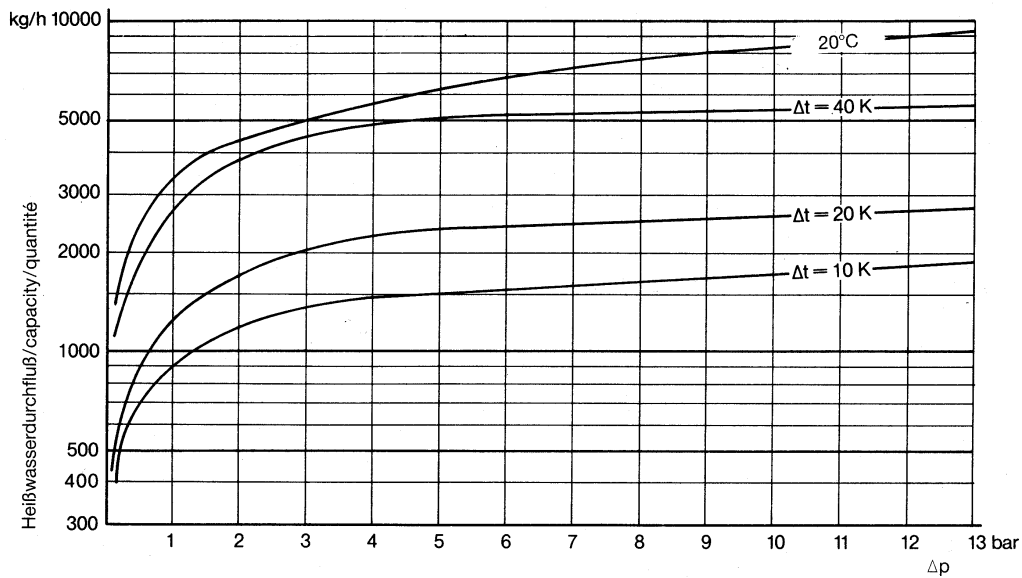
BF21



Dimensions



Capacity



Type	Article no.	DN	PS [bar]	Spare parts	
				Bimetal column with sealings	Sight glasses with sealings
				Article no.	Article no.
BF11	K-12-10-C1	20	13	15-02754	15-02766
	K-12-10-C2	50		15-02755	
BF21	K-12-10-E3	15	22	15-02756	15-02767
	K-12-10-E1	20			
	K-12-10-E2	25			
	K-12-10-E3	50			

