

Indicator valve type AF410

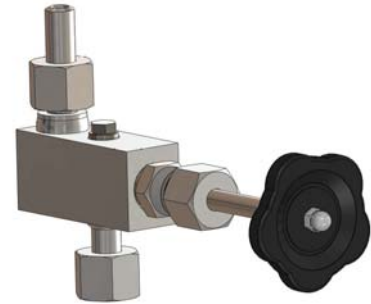
for remote level gauge

Application and function

The indicator valve serves as shutoff valve for the indicator body of the remote water level gauge

Technical basic equipment

- Body material stainless steel
- Inner parts of valve stainless steel
- Handwheel plastic
- Process connection: $\varnothing 17,2 \times 2,3$ mm
- Version with backseat to release the gland packing



Technical data

Allowable pressure	PS	[bar]	180
Allowable temperature	TS	[° C]	+ 5 bis + 40

